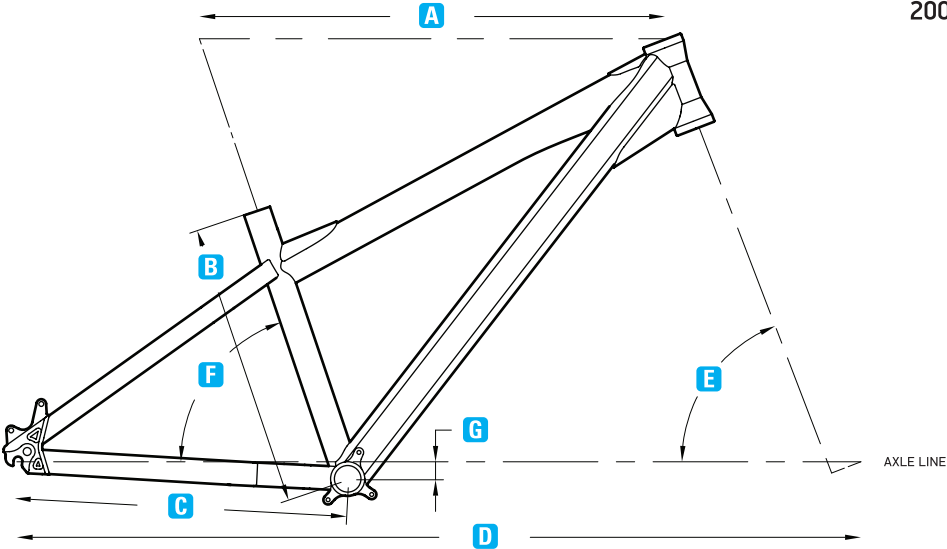


2009 FRAME GEOMETRY

ENZA



	Top Tube A	Seat Tube B	Chainstay C	Wheelbase D	Head Angle E	Seat Angle F	BB Height G
ONE SIZE ONLY	588mm	360mm	420mm	1066mm	69°	71.3°	-23mm

👉 Measurements refer to 470mm axle to crown, with 39mm offset