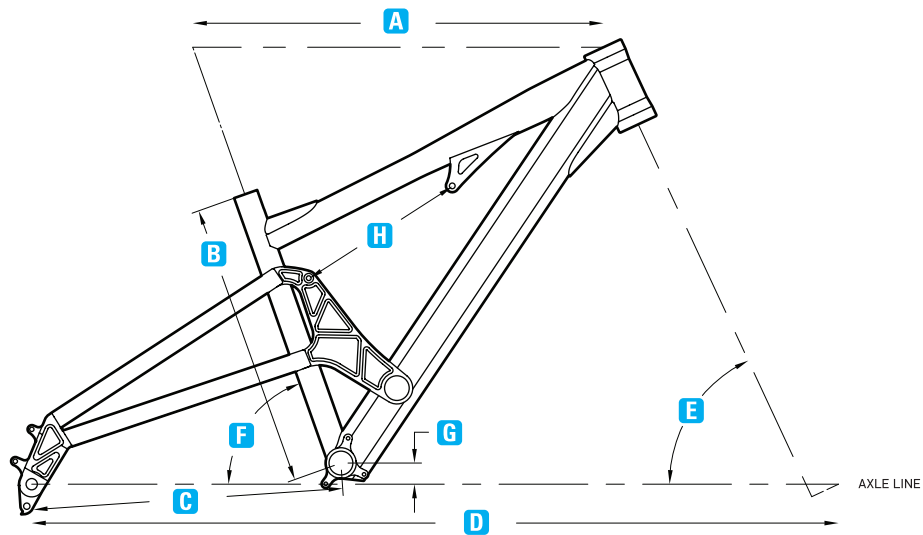


# IZIMU



	Top Tube <b>A</b>	Seat Tube <b>B</b>	Chainstay <b>C</b>	Wheelbase <b>D</b>	Head Angle <b>E</b>	Seat Angle <b>F</b>	BB Height <b>G</b>	Shock <b>H</b>
<b>SMALL</b>	580mm	405mm	440mm	1145mm	65°	70.5°	+30mm	240mm x 76mm
<b>LARGE</b>	610mm	405mm	440mm	1175mm	65°	70.5°	+30mm	240mm x 76mm

☞ Measurements refer to 575mm axle to crown, with a 42mm offset