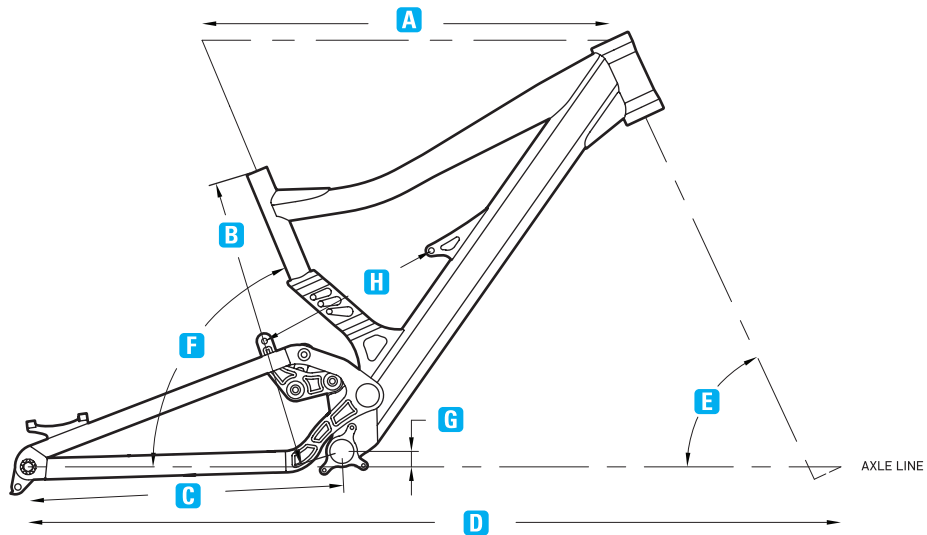


# MAKULU



	Top Tube <b>A</b>	Seat Tube <b>B</b>	Chainstay <b>C</b>	Wheelbase <b>D</b>	Head Angle <b>E</b>	Seat Angle <b>F</b>	BB Height <b>G</b>	Shock <b>H</b>
<b>SMALL</b>	580mm	414mm	445mm	1157mm	65°	71°	+22mm	266mm x 89mm
<b>LARGE</b>	610mm	414mm	445mm	1187mm	65°	71°	+22mm	266mm x 89mm

Measurements refer to 565mm axle to crown, with a 42mm offset