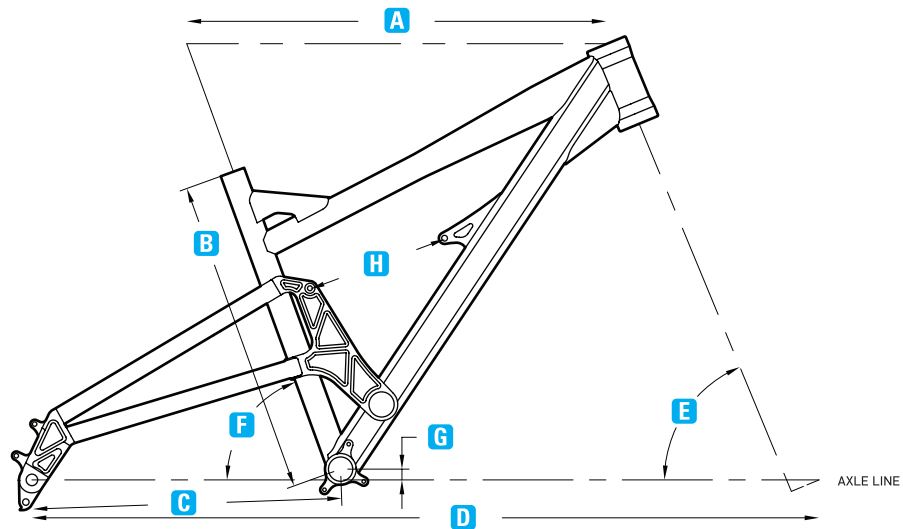


# MBUZI



	Top Tube <b>A</b>	Seat Tube <b>B</b>	Chainstay <b>C</b>	Wheelbase <b>D</b>	Head Angle <b>E</b>	Seat Angle <b>F</b>	BB Height <b>G</b>	Shock <b>H</b>
<b>SMALL</b>	560mm	405mm	430mm	1069mm	67.5°	70°	+15mm	200mm x 57mm
<b>MEDIUM</b>	585mm	440mm	430mm	1094mm	67.5°	70°	+15mm	200mm x 57mm
<b>LARGE</b>	610mm	485mm	430mm	1119mm	67.5°	70°	+15mm	200mm x 57mm

Measurements refer to 545mm axle to crown, with a 40mm offset