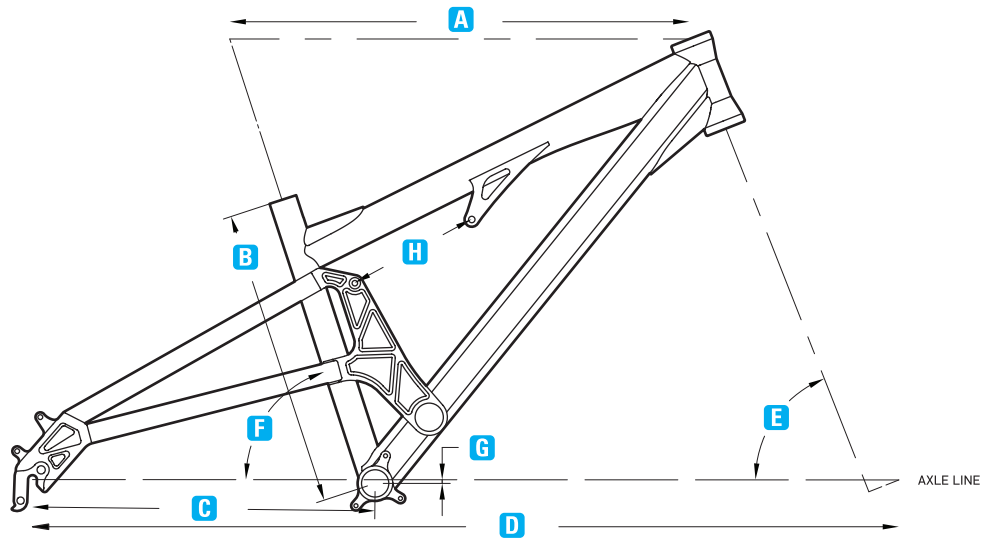


# NDIZA



	Top Tube <b>A</b>	Seat Tube <b>B</b>	Chainstay <b>C</b>	Wheelbase <b>D</b>	Head Angle <b>E</b>	Seat Angle <b>F</b>	BB Height <b>G</b>	Shock <b>H</b>
<b>SMALL</b>	570mm	370mm	425mm	1076mm	68.5°	72°	-5mm	165mm x 38mm
<b>LARGE</b>	605mm	370mm	425mm	1111mm	68.5°	72°	-5mm	165mm x 38mm

👉 Measurements refer to 480mm axle to crown height, with a 42mm offset