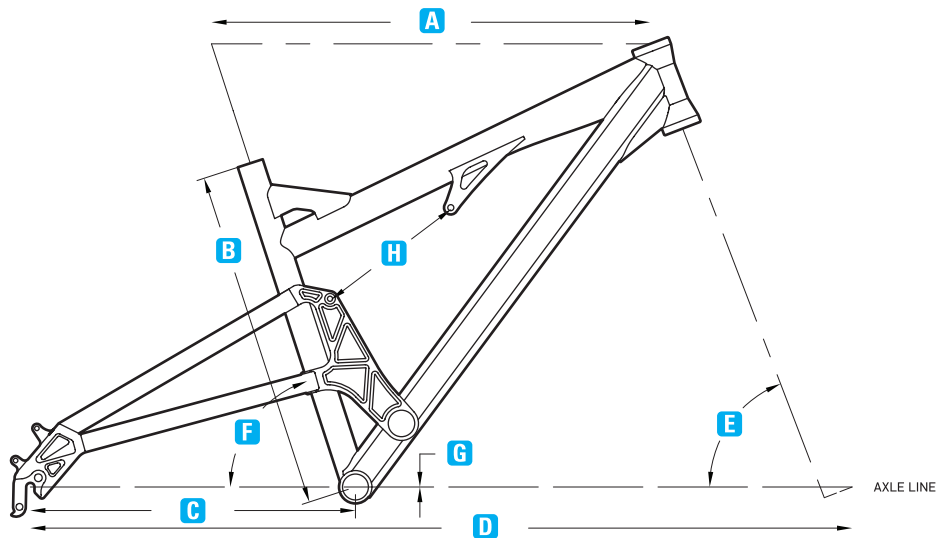


SHOVA



	Top Tube A	Seat Tube B	Chainstay C	Wheelbase D	Head Angle E	Seat Angle F	BB Height G	Shock H
SMALL	560mm	405mm	430mm	1070mm	69°	72°	0mm	200mm x 50mm
MEDIUM	580mm	450mm	430mm	1090mm	69°	72°	0mm	200mm x 50mm
LARGE	610mm	490mm	430mm	1120mm	69°	72°	0mm	200mm x 50mm

Measurements refer to 518mm axle to crown, with 42mm offset