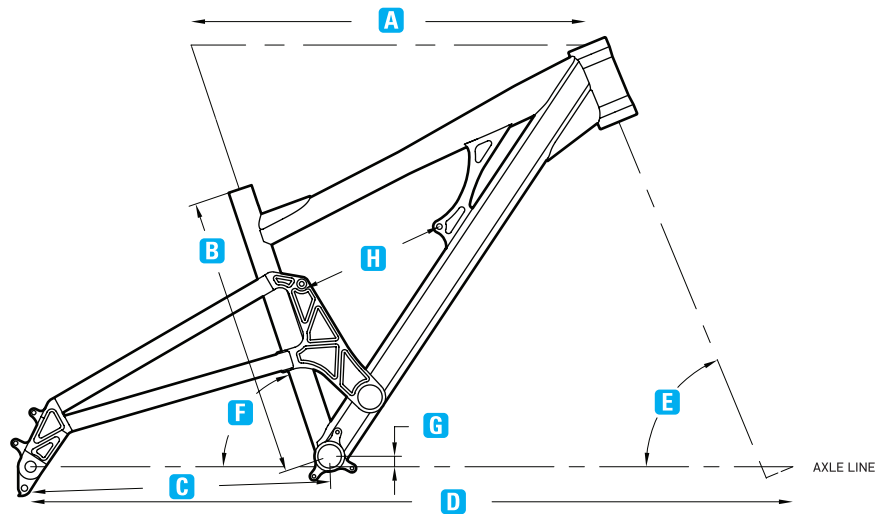


# ZUZA



	Top Tube <b>A</b>	Seat Tube <b>B</b>	Chainstay <b>C</b>	Wheelbase <b>D</b>	Head Angle <b>E</b>	Seat Angle <b>F</b>	BB Height <b>G</b>	Shock <b>H</b>
<b>SMALL / MED</b>	568mm	405mm	430mm	1094mm	67.5°	71.5°	+15mm	215mm x 73mm
<b>MED / LARGE</b>	593mm	405mm	430mm	1119mm	67.5°	71.5°	+15mm	215mm x 73mm

 Measurements refer to 545mm axle to crown, with 40mm offset